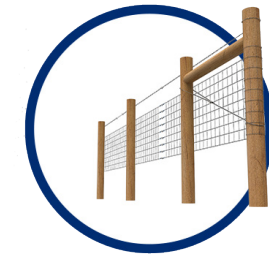




Applications



Wire Fencing

Design and Performance

Load Rating

- 150 kg | 330 lbs

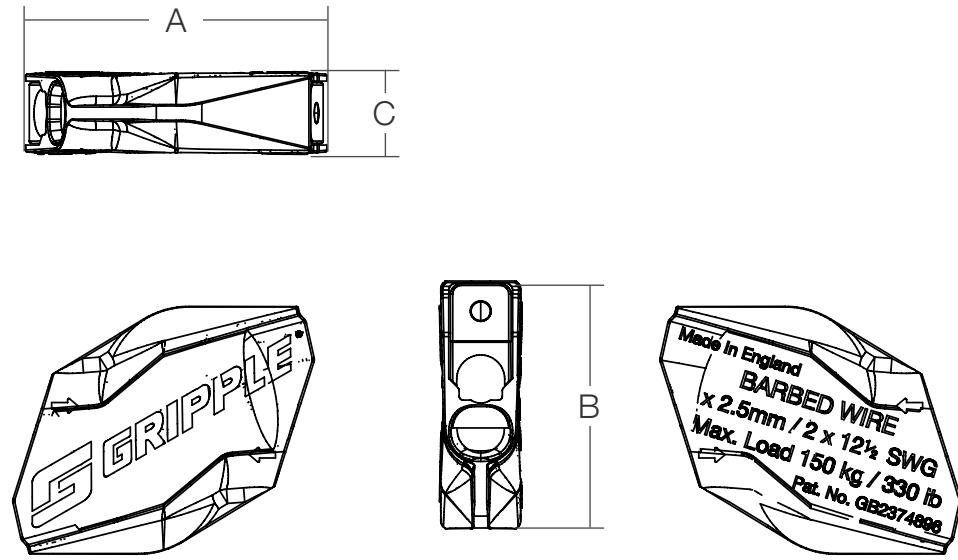
Material

- Gripple housing: Zinc (ZA2)
- Spring: Stainless steel
- End cap: UV Stabilised PP
- Ceramic wedge: Ceramic (Sintox)

Compatibility

- Wire type: Mild steel barbed wire
- Wire range: 2 x 2.00 mm - 2.50 mm
- Standard wire gauge: 2 x 14 swg - 2 x 12½ swg

Dimensions and Weights

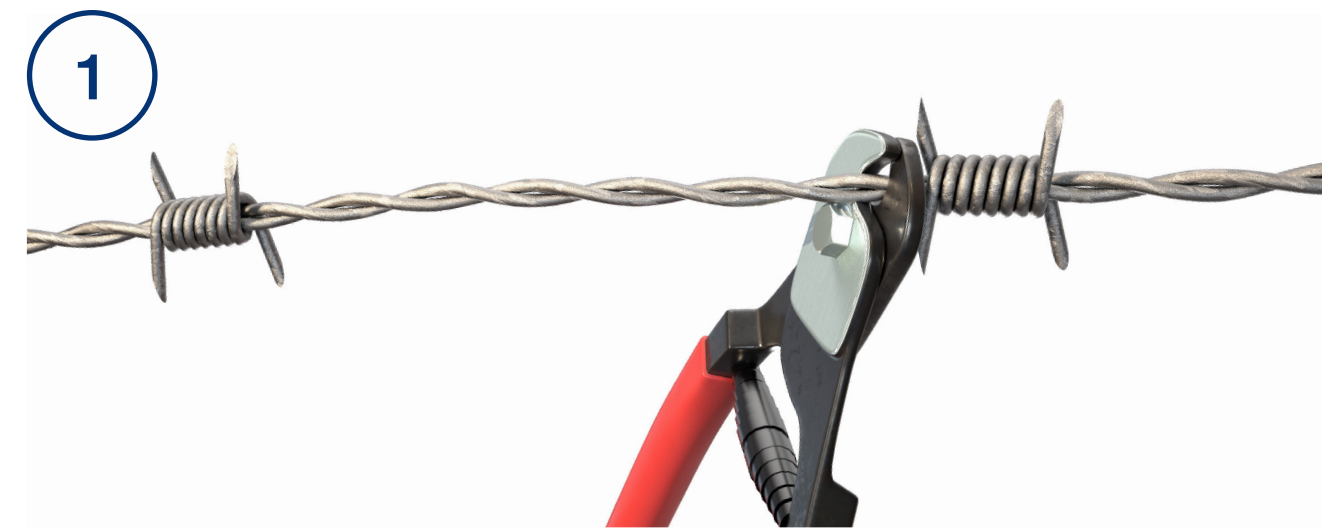


A Length	38 mm 1.5 in
B Height	31 mm 0.8 in
C Depth	10 mm 0.39 in

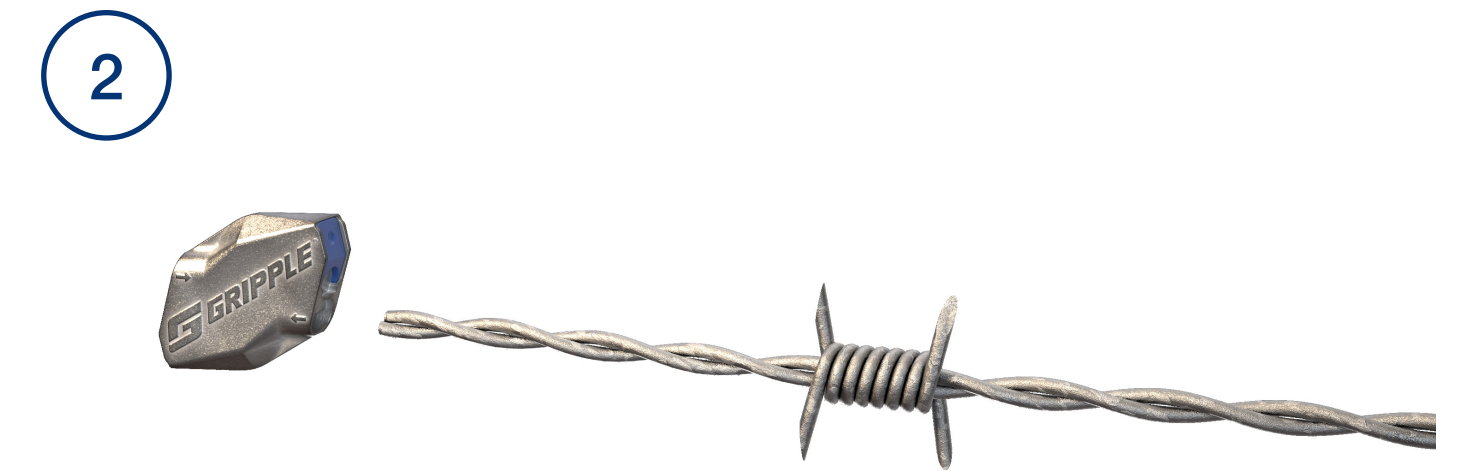
Packaging

Item weight	25 g 0.6 lbs
Package weight (bag)	0.48 kg 1.06 lbs
Bag quantity	20
Package weight (box)	4.88 kg 10.76 lbs
Box quantity	10

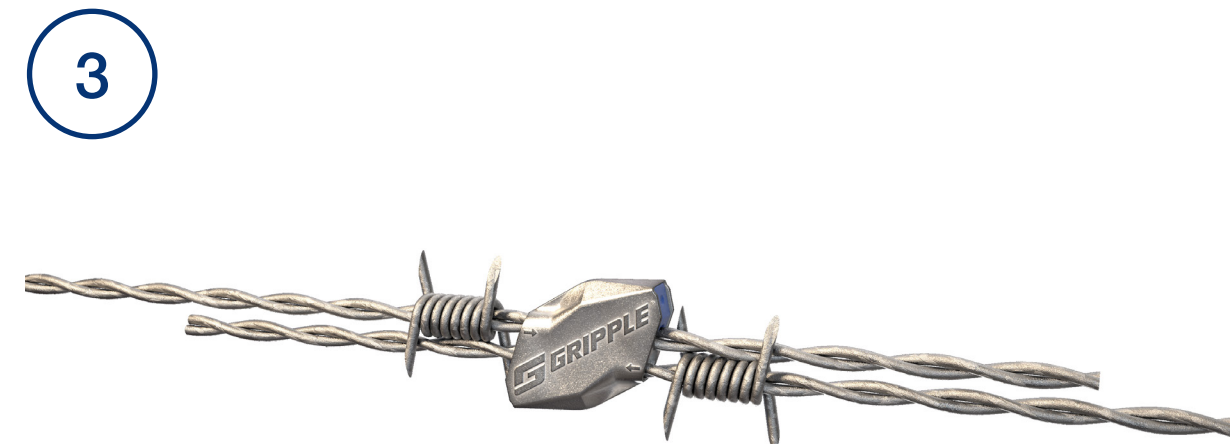
Installation



1 Cut wire at the barb, leaving at least 8 cm | 3 inches of wire to make the join, make sure the end of the wire is tightly wound.



2 Insert the first barbed wire into the wire joiner ensuring it is tight against the barb.



3 Insert the second wire repeating step 2 and tension from the end post.